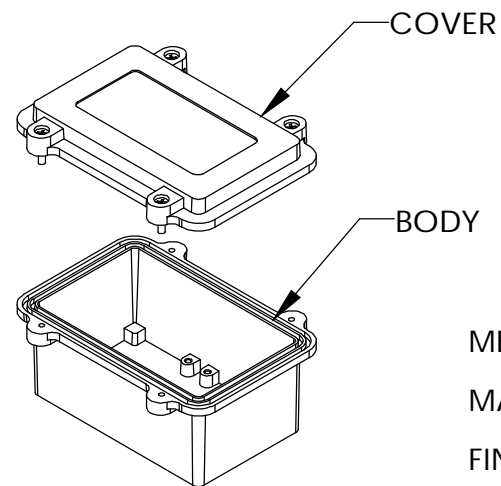
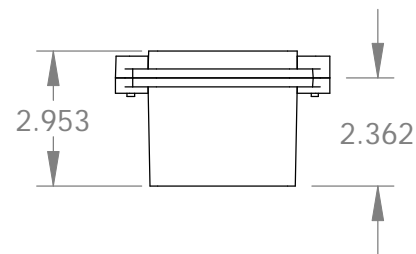
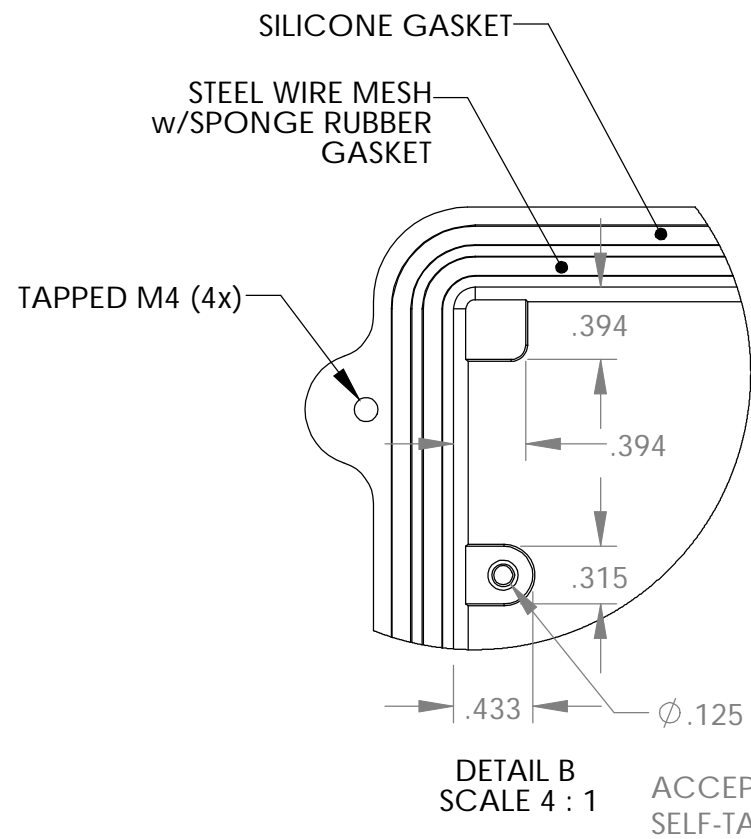
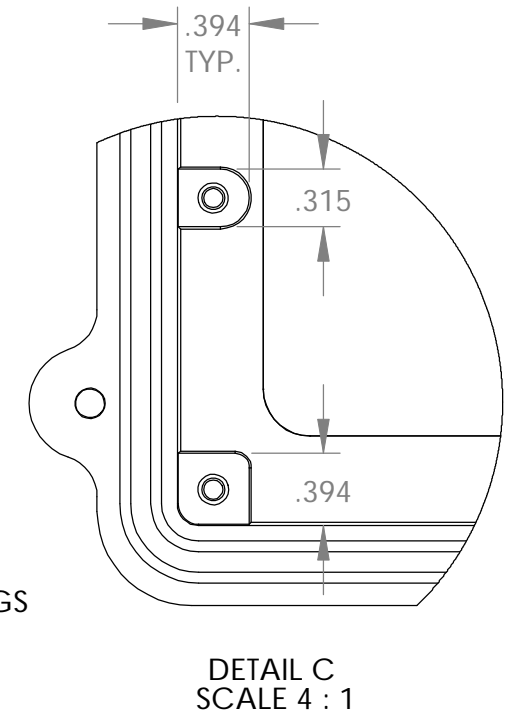


FOUR (4) M4 x 20mm (.787") LG. STAINLESS STEEL CAPTIVE SCREWS

Ø .175 x .315 DEEP (4x)
ACCEPTS M5 x 10mm (.394") LG. SELF-TAPPING SCREWS (NOT SUPPLIED)



MEETS NEMA 1, 2, 4, 4X, 12, 13 AND IP65 RATINGS
 MATERIAL - ALUMINUM ALLOY ADC-12
 FINISH - NATURAL (NO SUFFIX PART NO.)
 - SMOOTH BLACK (-B SUFFIX PART NO.)
 TOLERANCES: ALL HOLE DIAMETERS ±.005
 ALL OTHER DIMENSIONS ±.015



Ø .125 x .315 DEEP (6x) IN BODY
(6x) IN COVER
ACCEPTS M3.5 x 6mm (.236") LG. SELF-TAPPING SCREWS (NOT SUPPLIED)